

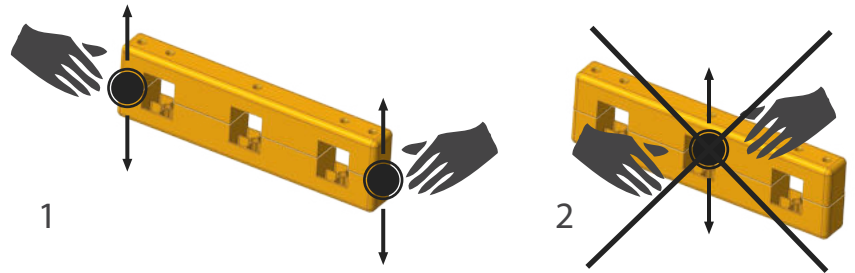
# dozop<sup>®</sup>

## Quick and easy assembly User's manual Modular 2

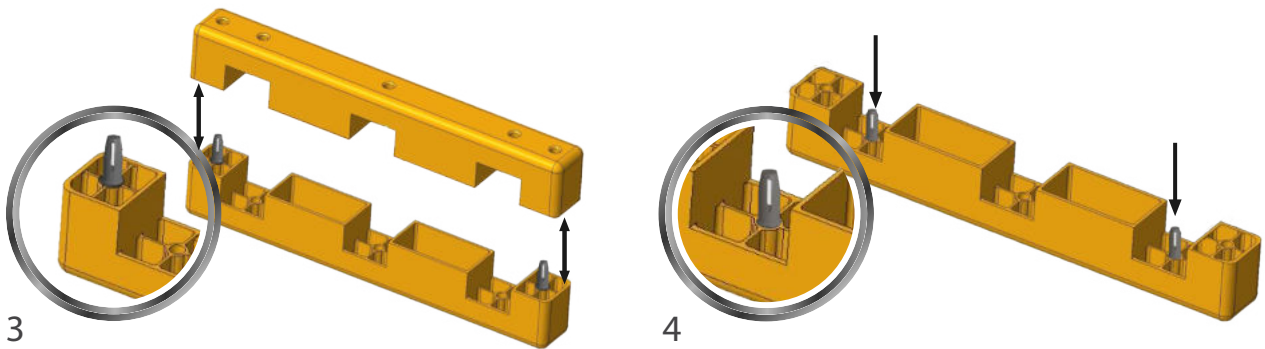
Includes: 2 struts, 4 casters, 2 pins

Divide the 2 struts from each other by gently pulling them apart at the ends.

Pulling them apart in the middle can cause the pins who attach the struts together to brake or damage.



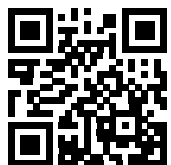
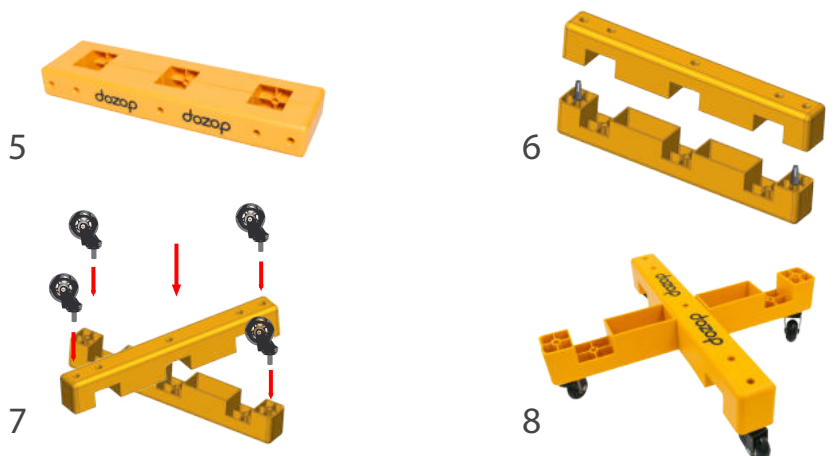
In order not to loose the pins while using the dolly, you can place them in the holes, see picture 4. It will not disturb the use of the dolly.



After taking apart the 2 struts from each other, remove the pins from the struts.

Cross the struts and click them one into the other. Place the casters in the 4 holes on each end of the struts.

All parts click in each other by press fit, no tools required.



# dozop<sup>®</sup>

Enjoy dozop

You can also find this User's manual on our website.

[www.dozop.com](http://www.dozop.com)