

dozop[®]
Personal logistics, made easy

CATALOG

Lightweight solutions for heavyweight needs.

Dozop products make moving heavy or awkward packages a breeze. You can use them to transport multiple packages at once thanks to their high weight load up to 250 lbs / 115 kg. Dozop products are compact and lightweight, they weight in avg 4.5 lbs / 2,5 kg making it convenient to take them with you anywhere. In addition, they take up barely any space in your home or office, so they are always ready to go when you need them. You can also keep our products in the trunk of your car to make shopping trips less difficult. Furthermore, Dozop products come with high-grade wheels that make it suitable for both indoors and outdoor use. Simply keep Dozop somewhere handy to help make your activities more convenient and routine.



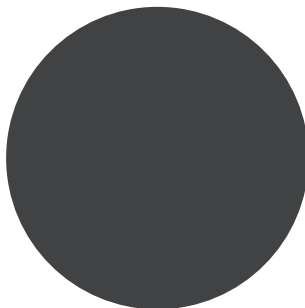
INDEX

PRODUCTS

Self contained
LogisKIT
Self contained MINI
Self contained PRO
Modular 4/2

ACCESSORIES

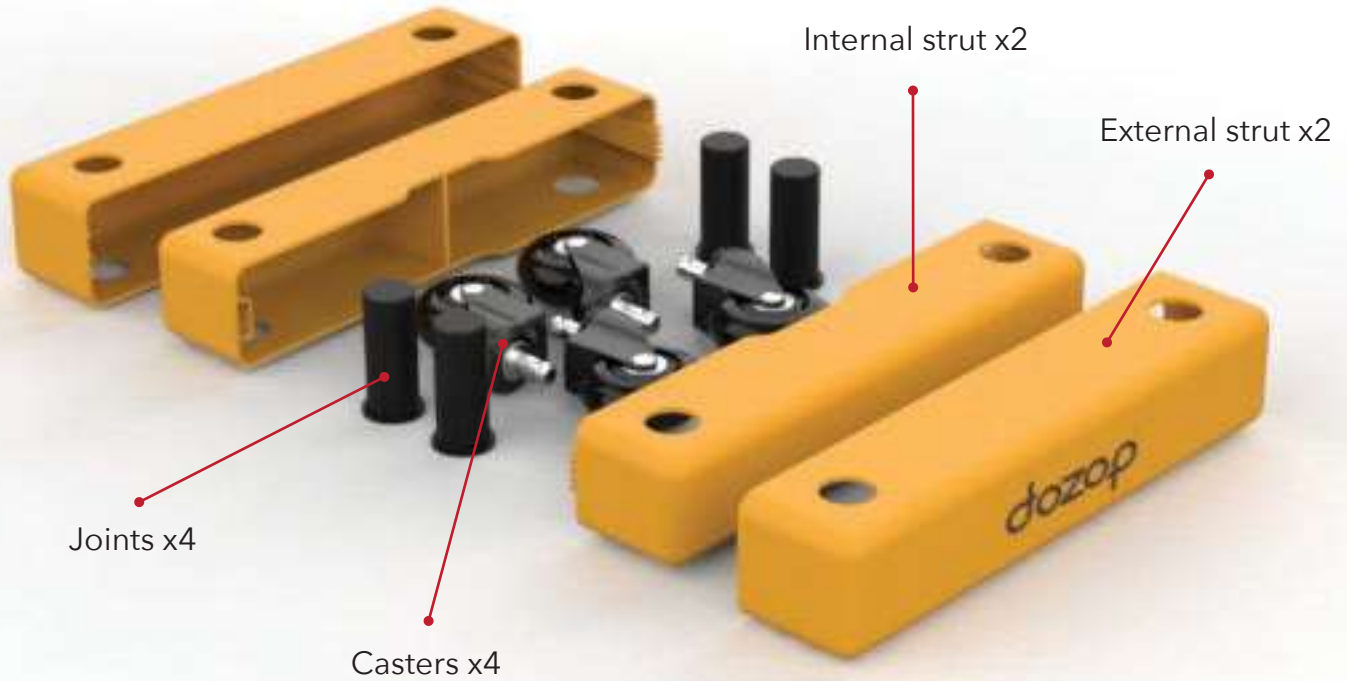
Pulling belt
Fastening belt
Gloves
Hand pads
Bag





SELF-CONTAINED

Get **familiar** with the **dozop dolly**



dozop patented dolly

2019 Dozop Holdings LLC. and its affiliated companies, all rights reserved. This product is produced from original artwork. All copyrights and trademark rights in the distinctive appearance and function of this article are owned by Dozop Holdings LLC., "dozop", "dp". Made in China.

Get **familiar** with the **dozop dolly**

All parts are press fit assembled.



dozop patented dolly

2019 Dozop Holdings LLC. and its affiliated companies, all rights reserved. This product is produced from original artwork. All copyrights and trademark rights in the distinctive appearance and function of this article are owned by Dozop Holdings LLC., "dozop", "dp". Made in China.

Get **familiar** with the **dozop dolly**

1



2



3



4



5



6



dozop patented dolly

2019 Dozop Holdings LLC. and its affiliated companies, all rights reserved. This product is produced from original artwork. All copyrights and trademark rights in the distinctive appearance and function of this article are owned by Dozop Holdings LLC., "dozop", "dp". Made in China.

SELF CONTAINED DOLLY

CODE: SEL_I

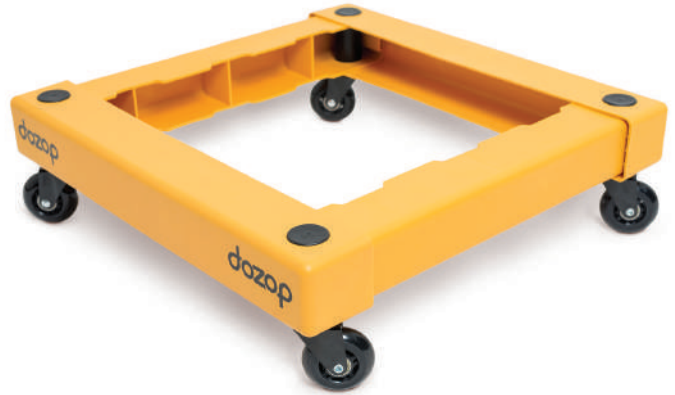
Compact and assembly multipurpose dolly that take up barely any space at home, office or in the car and make moving heavy or awkward packages a breeze.



PRODUCT OPEN	505x500x142mm (19.9x19.7x5.6in)
PRODUCT CLOSED	505x145x75mm (19.9x5.7x2.9in)
MATERIALS	PP/Fiberglass
MAX LOAD	115kg (250lb)

LOGISKIT

CODE: SEL_I_L



PRODUCT OPEN	505x500x142mm (19.9x19.7x5.6in)
PRODUCT CLOSED	505x145x75mm (19.9x5.7x2.9in)
MATERIALS	PP/Fiberglass
MAX LOAD	115kg (250lb)



INCLUDE:

Pulling Belt



Fastening Belt



Bag



SELF-CONTAINED MINI

NEW

CODE: SEL_I_M

Compact and assembly multipurpose dolly that take up barely any space at home, office or in the car and make moving heavy or awkward packages a breeze.



PRODUCT OPEN	300x295x121mm (11.8x11.6x4.7in)
PRODUCT CLOSED	300x120x50mm (11.8x4.7x1.9in)
MATERIALS	PP/Fiberglass
MAX LOAD	100kg (220lb)

2019 Dozop Holdings LLC. and its affiliated companies, all rights reserved. This product is produced from original artwork. All copyrights and trademark rights in the distinctive appearance and function of this article are owned by Dozop Holdings LLC., "dozop", "dp". Made in China.

SELF-CONTAINED PRO

NEW

CODE: SEL_I_P

Compact and assembly dolly for professional use, special casters for indoor and outdoor for any profession transporting up to 180kg/400lb.



PRODUCT OPEN	505x500x142mm (19.9x19.7x5.6in)
PRODUCT CLOSED	505x145x75mm (19.9x5.7x2.9in)
MATERIALS	PP/Fiberglass
MAX LOAD	180kg (400lb)

Heavy duty casters for professional use

INCLUDE:

Fastening Belt



Gloves



2019 Dozop Holdings LLC. and its affiliated companies, all rights reserved. This product is produced from original artwork. All copyrights and trademark rights in the distinctive appearance and function of this article are owned by Dozop Holdings LLC., "dozop", "dp". Made in China.



MODULAR

MODULAR 4/2

CODE: MOD_4 / MOD_2

This modular design allows you to use multiple units of one same design/shape strut to combine then in a press fit fashion to form a square, 2 x or other shapes to form a moving platform/pallet-like to carry, support and/or move mid to heavy items around both indoor and outdoor.



MOD_4

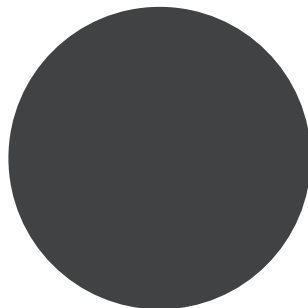
PRODUCT OPEN	505x500x135mm (19.9x19.7x5.4in)
PRODUCT CLOSED	505x145x120mm (19.9x5.7x4.7in)
MATERIALS	PP/Fiberglass
MAX LOAD	115kg (250lb)

MOD_2

PRODUCT OPEN	505x505x138mm (19.9x19.9x5.4in)
PRODUCT CLOSED	505x145x60mm (19.9x5.7x2.3in)
MATERIALS	PP/Fiberglass
MAX LOAD	75kg (165lb)

ACCESSORIES

Pulling belt
Fastening belt
Gloves
Hand pads
Bag





9

dozop

PULLING BELT

CODE: PUL_I

Our pulling and fastening belts can hold weights up to 200 pounds (115Kg). They can be used singly or in combination to tie modules to make pulling them easy. Fastening belts tie your load to the Dozop module for pulling or pushing.



PRODUCT OPEN	900mm (35.4in)
--------------	----------------

PRODUCT CLOSED	N.A
----------------	-----

MATERIALS	Nylon/Foam/PP
-----------	---------------

MAX LOAD	N.A
----------	-----



FASTENING BELT

CODE: FAS_I

Our pulling and fastening belts can hold weights up to 200 pounds (115Kg). They can be used singly or in combination to tie modules to make pulling them easy. Fastening belts tie your load to the Dozop module for pulling or pushing.



PRODUCT OPEN	3000mm (118in)
PRODUCT CLOSED	N.A
MATERIALS	Nylon/PP
MAX LOAD	N.A

2019 Dozop Holdings LLC. and its affiliated companies, all rights reserved. This product is produced from original artwork. All copyrights and trademark rights in the distinctive appearance and function of this article are owned by Dozop Holdings LLC., "dozop", "dp". Made in China.



GLOVES

CODE: GLO_I

Protect your hands during the move with special rubber grips on the palms of the gloves to keep a tight, safe grip.



PRODUCT OPEN	One size fits all
--------------	-------------------

PRODUCT CLOSED	N.A
----------------	-----

MATERIALS	Fabric/Rubber
-----------	---------------

MAX LOAD	N.A
----------	-----

2019 Dozop Holdings LLC. and its affiliated companies, all rights reserved. This product is produced from original artwork. All copyrights and trademark rights in the distinctive appearance and function of this article are owned by Dozop Holdings LLC., "dozop", "dp". Made in China.



HAND PADS

CODE: HAN_I

Slide your fingers through the loops of the round pads to improve grip and protect your hands while moving bulky items.



PRODUCT OPEN	One size fits all
PRODUCT CLOSED	N.A
MATERIALS	Fabric
MAX LOAD	N.A

2019 Dozop Holdings LLC. and its affiliated companies, all rights reserved. This product is produced from original artwork. All copyrights and trademark rights in the distinctive appearance and function of this article are owned by Dozop Holdings LLC., "dozop", "dp". Made in China.



BAG

CODE: BAG_I

Keep all Dozop items together for easy access.



PRODUCT OPEN	N.A
PRODUCT CLOSED	N.A
MATERIALS	Nylon
MAX LOAD	N.A

2019 Dozop Holdings LLC. and its affiliated companies, all rights reserved. This product is produced from original artwork. All copyrights and trademark rights in the distinctive appearance and function of this article are owned by Dozop Holdings LLC., "dozop", "dp". Made in China.

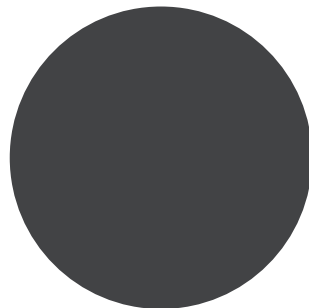
DISPLAYS

Chain display

Store display

Table display

Bulk display



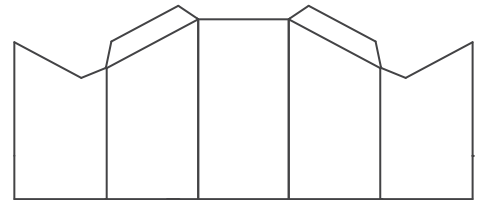
CHAIN DISPLAY

CODE: CHA_D

"Get dozop results by displaying the dollies"
Choose the correct display for your store-warehouse.



Product Capacity: 22/25 pieces



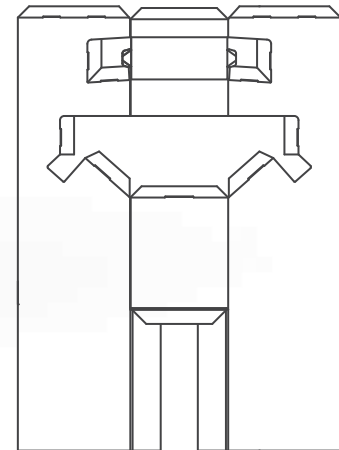
STORE DISPLAY

CODE: STO_D

"Get dozop results by displaying the dollies"
Choose the correct display for your store-warehouse.



Product Capacity: 9 units



Dieline

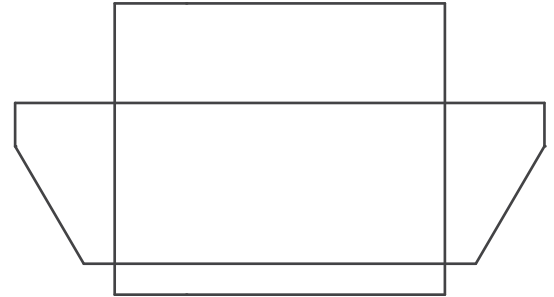
TABLE DISPLAY

CODE: TAB_D

"Get dozop results by displaying the dollies"
Choose the correct display for your
store-warehouse.



Dieline



Product Capacity: 3 or 5 units



BULK DISPLAY

CODE: BUL_D

"Get dozop results by displaying the dollies"
Choose the correct display for your
store-warehouse.



Euro pallet
Product Capacity: 144 units

NO MATTER WHAT
YOU NEED IT FOR...

LET'S
dozop
IT



info@dozop.com
www.dozop.com

dp
Social



DOZOPIT



DOZOPIT



DOZOPIT



DOZOPIT